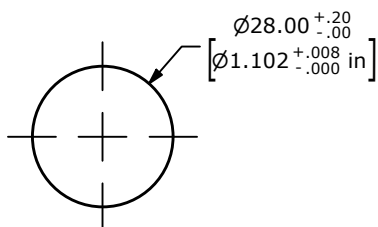
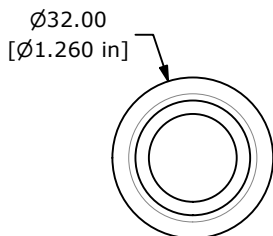


**SCHMATIC**  
 DPDT ILLUMINATED  
 OFF-(ON) / ON-(OFF)  
 ( ) DENOTES MOMENTARY FUNCTION

SWITCH	WIRE	LENGTH
SW1-1a	WIRE, 24AWG AWM UL1015, WHITE	300.0 [11.8 in]
SW1-2a	WIRE, 24AWG AWM UL1015, WHITE	300.0 [11.8 in]
SW1-3a	WIRE, 24AWG AWM UL1015, BLUE	300.0 [11.8 in]
SW1-4a	WIRE, 24AWG AWM UL1015, BLUE	300.0 [11.8 in]
SW1-1b	WIRE, 24AWG AWM UL1015, WHITE	300.0 [11.8 in]
SW1-2b	WIRE, 24AWG AWM UL1015, WHITE	300.0 [11.8 in]
SW1-3b	WIRE, 24AWG AWM UL1015, BLUE	300.0 [11.8 in]
SW1-4b	WIRE, 24AWG AWM UL1015, BLUE	300.0 [11.8 in]
SW1- (+)	WIRE, 24AWG AWM UL1015, RED	300.0 [11.8 in]
SW1- (-)	WIRE, 24AWG AWM UL1015, BLACK	300.0 [11.8 in]

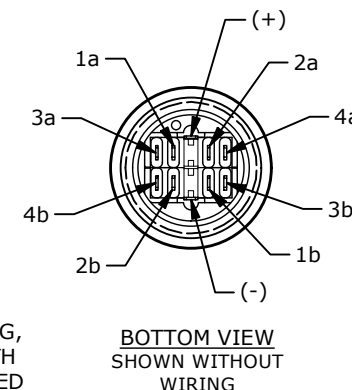
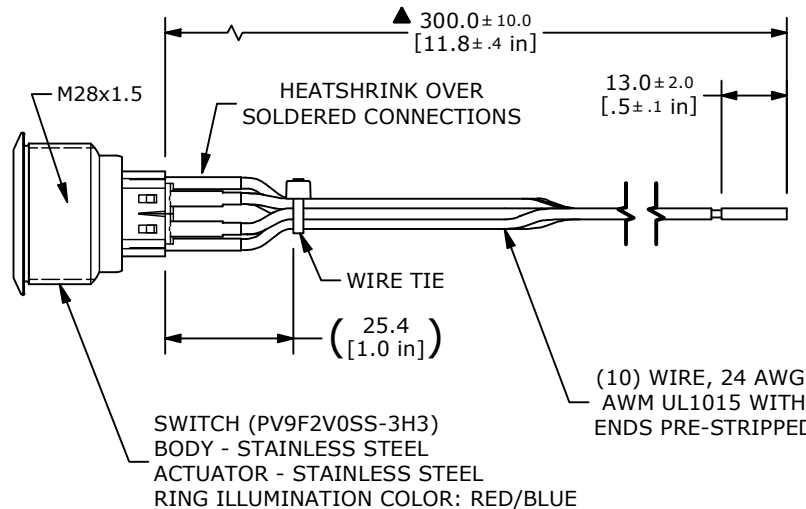
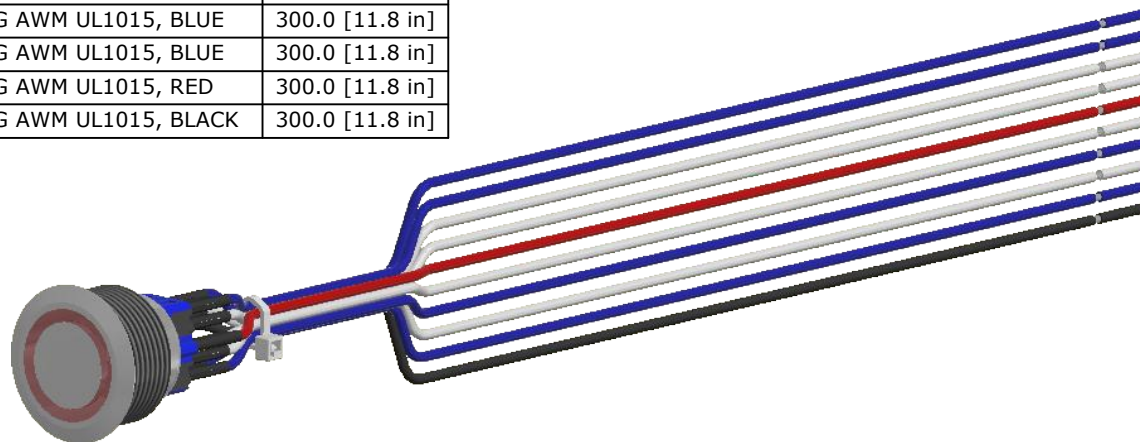


**RECOMMENDED PANEL CUTOUT**  
 MAX. PANEL THICKNESS 10mm [.39 in]



**NOTE:**

1. ALL DIMENSIONS IN MM [INCH]
2. GENERAL TOLERANCE: X.X = ± 0.4  
X.XX = ± 0.25
3. TERMINAL NUMBERS FOR REF. ONLY
4. FUNCTION: DPDT
5. RATING: 2A @ 48VDC
6. CONTACT RESISTANCE: 50mΩ MAX. @ 1A 12VDC
7. INSULATION RESISTANCE: 1,000MΩ @ 500VDC
8. DIELECTRIC STRENGTH: 2,000VAC MIN. FOR 1 MINUTE
9. ELECTRICAL LIFE: 50,000 CYCLES
10. OPERATING TEMPERATURE: -20°C to 55°C
11. INGRESS PROTECTION: IP66
- ▲ 12. SUPPLIED HARDWARE: O-RING AND HEXNUT
13. ▲ DENOTES CRITICAL PARAMETER
- ▲ 14. ILLUMINATION COLOR: RED (FORWARD), BLUE (REVERSE)
- ▲ 15. ILLUMINATION VOLTAGE: 6V



B	24666	UPDATE THREAD LENGTH TO 15.0	1/4/2021	JM
A	24366	RELEASE	6/26/20	MW
REV	PCR NO	DESCRIPTION	DATE	BY

<b>E-SWITCH®</b>				
TITLE PV9FWV0SS-3H3				
SCALE	DATE	DR	DWG	REV
2:3	6/26/2020	MW	52-PV9FWV0SS3H3	B